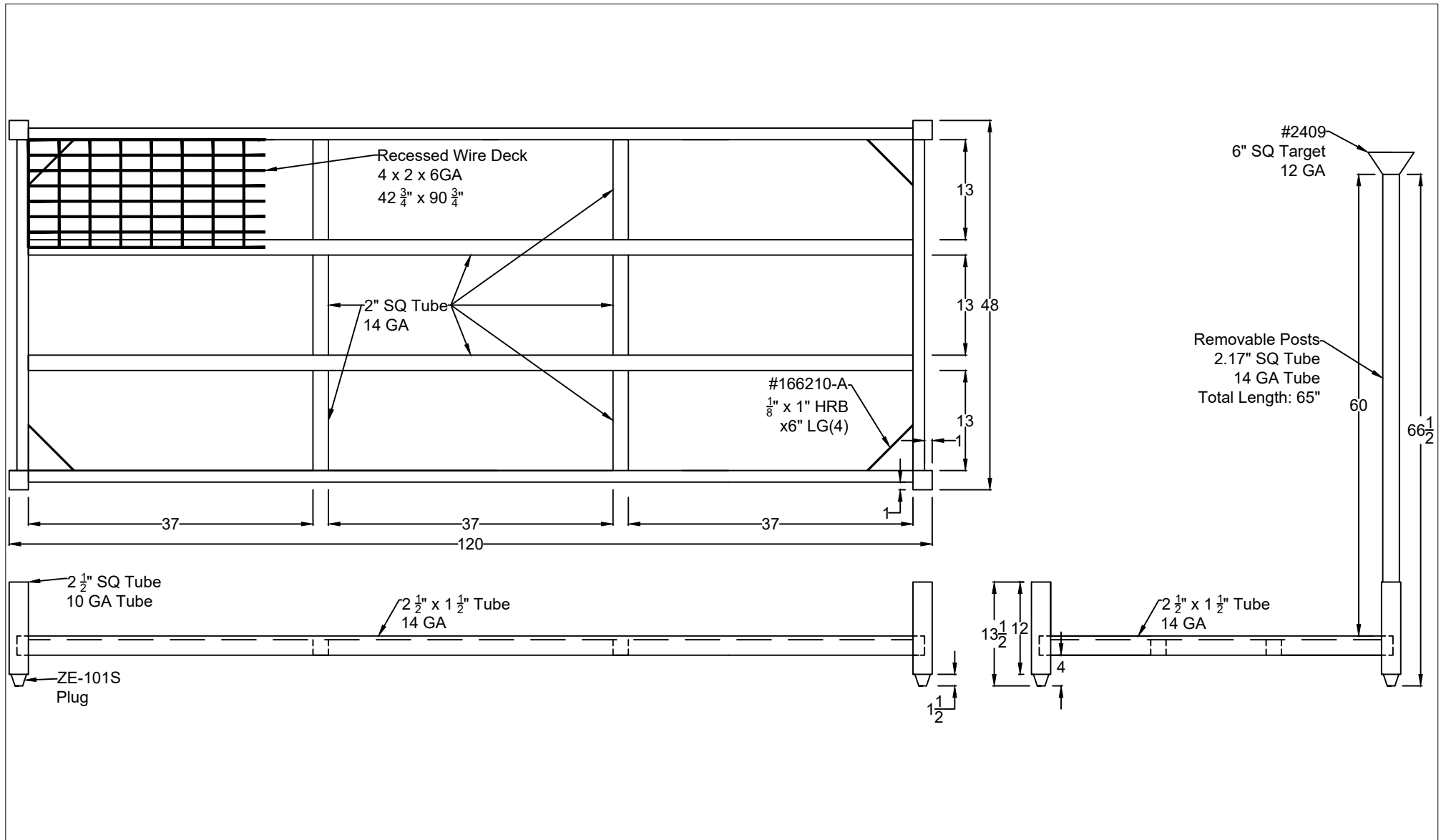


# WAREHOUSE RACK & SHELF, LLC



SPECIAL NOTES:	CAPACITY:	P.O.C: RED	REVISION		DESCRIPTION: <b>48"x120"x60"Clear Stack Rack</b>	DRN BY: TP		APPROVED:
	2500 LBS	E.W. BASE: 135 LBS				SCALE: 1/20	DATE: 7-29-16	
		POSTS: 54 LBS/SET (4)			CUSTOMER:	DRAWING NUMBER: <b>RM-1799</b>		
		TOTAL E.W: 189 LBS						
			Warehouse Rack & Shelf 132 Workman Ct. St. Louis, MO 63025 636-938-7100 <a href="mailto:greg@rackandshelf.com">greg@rackandshelf.com</a> <a href="http://www.rackandshelf.com">www.rackandshelf.com</a>					