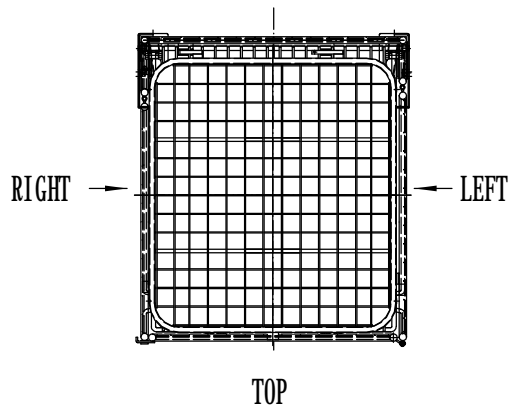
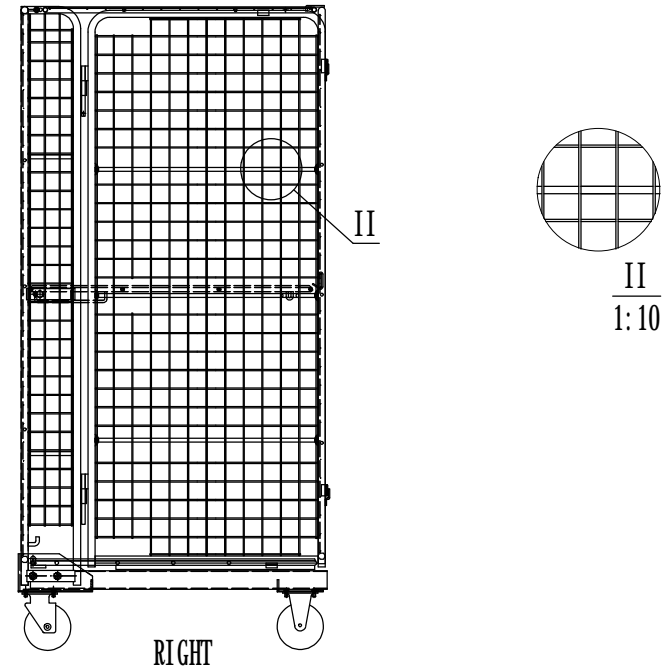
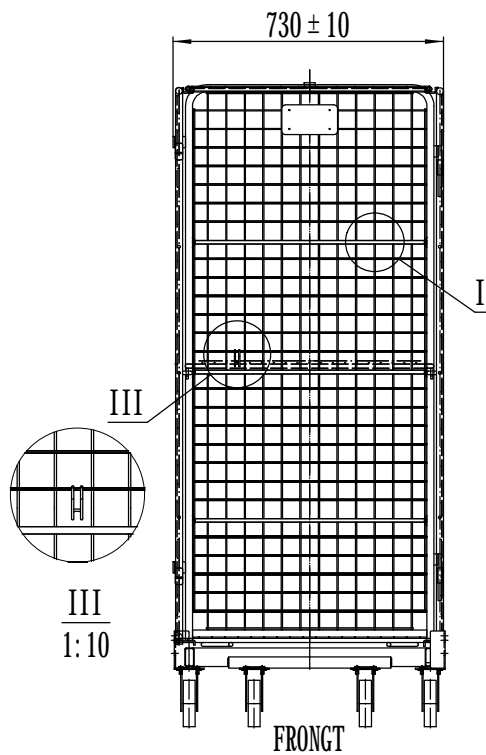
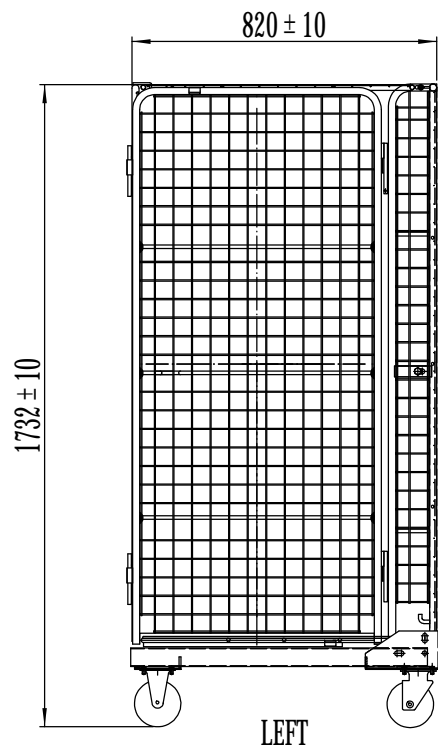


J20180504

| | |
|-------------------|----------------------------------|
| Tech. Requirement | 1: Finish: |
| | 2: Tolerance: CHN_GB1804-79 JS15 |
| | 3: |
| | 4: |



COMPANY NAME: _____
 PO# _____ PO DATE: _____
 APPROVED BY: (print name) _____
 APPROVAL SIGNATURE: _____ DATE: _____

A-20-PA5CC1

www.rackandshelf.com
 800-763-9020